

DSP35

- ▶ 24 Digits LCD display
- ▶ 5 Inputs
- ▶ Auto-Tuning function
- ▶ SAW filters against Lte interferences
- ▶ A.C.G. in each filter
- ▶ 32 high selectivity digital filters
- ▶ DC powering by plug or coaxial*
- ▶ Zamak chassis for high screening protection



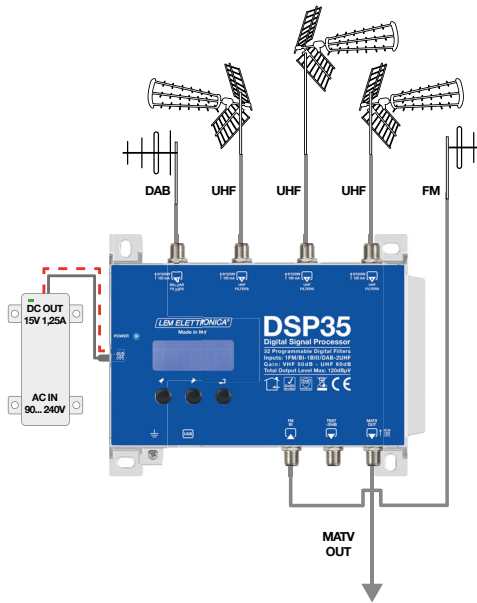
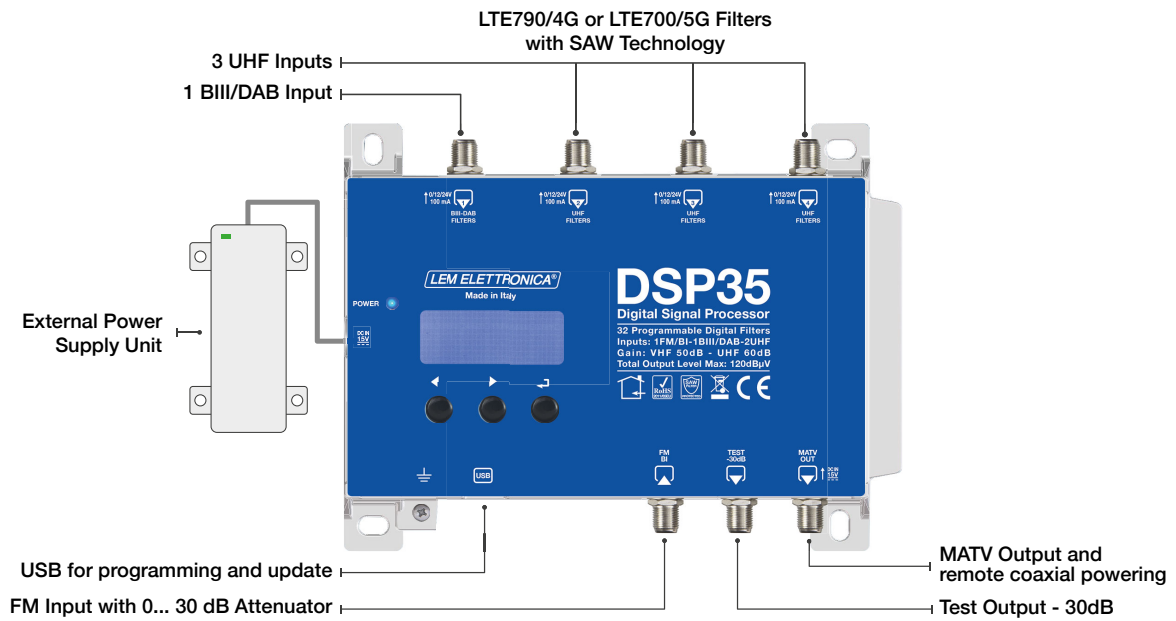
Programmable compact multi-input multiband amplifier to digitally filter, convert and equalize DVB-T / T2 channels. The built in high output amplifier allow the use in medium or large multi dwelling units.



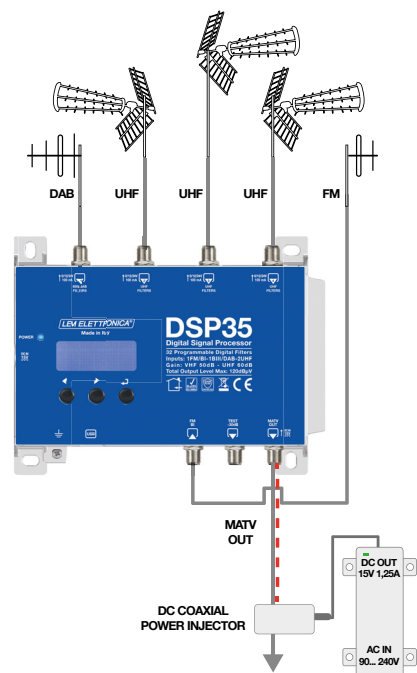
* require DC coaxial injector sold separately

MODEL		DSP35-4G	DSP35-5G
NUMBER OF INPUTS	5	1 FM; 1 BIII/DAB; 3 UHF	
INPUTS FREQUENCY RANGE	MHz	FM (40... 108) BIII (170... 230) / DAB (170... 240) UHF (470... 790)	FM (40... 108) BIII (170... 230) / DAB (170... 240) UHF (470... 694)
LTE PROTECTION		LTE790	LTE700
SINGLE CHANNEL FILTERS		32	
NUMBER OF CHANNEL PER FILTERS		1... 2	
INPUT LEVEL RANGE	dBμV	FM 35... 90 - BIII/DAB 40... 110 - UHF... 45... 100	
BI/FM INPUT ATTENUATOR	dB	0/-12/-24	
BIII/DAB INPUT AMPLIFIER	dB	0/+20 (OFF/ON)	
UHF INPUT AMPLIFIER		0/+10 (OFF/ON)	
BIII/DAB - UHF INPUTS A.C.G. RANGE	dB	40 dB	
DIGITAL FILTERS SELECTIVITY	dB	35 @1MHz	
VHF GAIN	dB	50	
UHF GAIN	dB	60	
OUTPUT LEVEL RANGE	dBμV	93... 113	
BIII/DAB ADJUSTABLE SLOPE	dB	0... -10	
UHF ADJUSTABLE SLOPE	dB	0... -5	
MAX VHF-UHF OUTPUT LEVEL	dBμV	120 (IM3 DIN 45004B - 60 dBc)	
MAX OUTPUT LEVEL WITH 6 MUX	dBμV	113	
RETURN LOSS IN/OUT	dB	>12	
TEST OUTPUT		1 (-30 dB)	
USB CONNECTOR		USB 1.0 / 2.0 Type B	
REMOTE POWER SUPPLY VHF-UHF		12V / 24V 100 mA	
MAXIMUM CONSUMPTION		15Vcc 0,53A - 8W	
OPERATING TEMPERATURE	°C	-5... 50	
DIMENSIONS	mm	193 x 148 x 36	

DSP35 Connections Schematic



DSP35 power supply through the DC input.



DSP35 power supply through the SMATV OUT.

Three different programming option



Direct Programming

All settings can be selected and adjusted with the easy to use built-in 24 digits display.



Automatic programming

The Auto-tuning function scans and detects DVB-T/T2 signals from the VHF/UHF inputs and allocates a single digital filter for each channel.



Applications Programming

With the user-friendly application LEMGUI available for PC Windows and Android IOS devices, all the DSP30 parameters can be set, stored, and retrieved.