

# DSP30-4G

## DIGITAL SIGNAL PROCESSOR

- ▶ 24 Digits LCD display
- ▶ 4 Inputs
- ▶ Auto-Tuning function
- ▶ SAW filters against Lte 4G interferences
- ▶ A.C.G. in each filter
- ▶ 32 high selectivity digital filters
- ▶ DC powering from plug or coaxial output
- ▶ Zamak chassis for high screening protection

Programmable compact multi-input multiband head-end to digitally filter, convert and equalize DVB-T / T2 channels. The built-in amplifier with adjustable output allows the use in small or medium multi dwelling units.



Firmware rel. 1.5  
Hardware rel. 5.3

MODEL		DSP30-4G
NUMBER OF INPUTS	4	1 FM; 1 BIII/DAB; 2 UHF
INPUTS FREQUENCY RANGE	MHz	FM (40... 108) BIII (170... 230) / DAB (170... 240) UHF (470... 790)
LTE PROTECTION		LTE790
SINGLE CHANNEL FILTERS		32
NUMBER OF CHANNEL PER FILTERS		1... 2
INPUT LEVEL RANGE	dBµV	FM 35... 90 - BIII/DAB 40... 110 - UHF... 45... 90
BI/FM INPUT ATTENUATOR	dB	0/-12/-24
BIII/DAB - UHF INPUTS A.C.G. RANGE	dB	40 dB
DIGITAL FILTERS SELECTIVITY	dB	35 @1MHz
SELECTABLE FILTERS AMPLITUDE	MHz	6/7/8/9/10
VHF GAIN	dB	50
UHF GAIN	dB	60
OUTPUT LEVEL RANGE	dBµV	86... 106
BIII/DAB ADJUSTABLE SLOPE	dB	0... -10
UHF ADJUSTABLE SLOPE	dB	0... -5
MAX TOTAL OUTPUT LEVEL	dBµV	116 (IM3 DIN 45004B - 60 dBc)
MAX OUTPUT LEVEL WITH 6 MUX	dBµV	106
RETURN LOSS IN/OUT	dB	>12
TEST OUTPUT		1 (-30 dB)
USB CONNECTOR		USB 1.0 / 2.0 Type B
REMOTE POWER SUPPLY VHF-UHF		12V / 24V 100 mA
MAXIMUM CONSUMPTION		15Vcc 0,53A - 8W
OPERATING TEMPERATURE	°C	-5... 50
DIMENSIONS	mm	193 x 148 x 36



## ICONS DESCRIPTION



High rejection SAW filters for optimal protection against Lte 4G interferences



In addition to the easy-to-use LCD display, programming applications are available for PC Windows and Android devices



Self programming Auto-tuning function to scan and detect DVB-T/T2 signals from the VHF/UHF inputs and allocate a single digital filter for each transponder

## DESCRIPTION OF SYMBOLS AND ELECTRICAL SAFETY



The equipment complies with the CE requirements



The equipment is designed for indoor use only



Equipment grounding terminal



This symbol indicates that the equipment complies with the safety requirements for class II equipment



To avoid the risk of electric shock, do not open the equipment.



The equipment is compliant with RoHS 2011/65EU



Dispose according to local authorities recycling processes

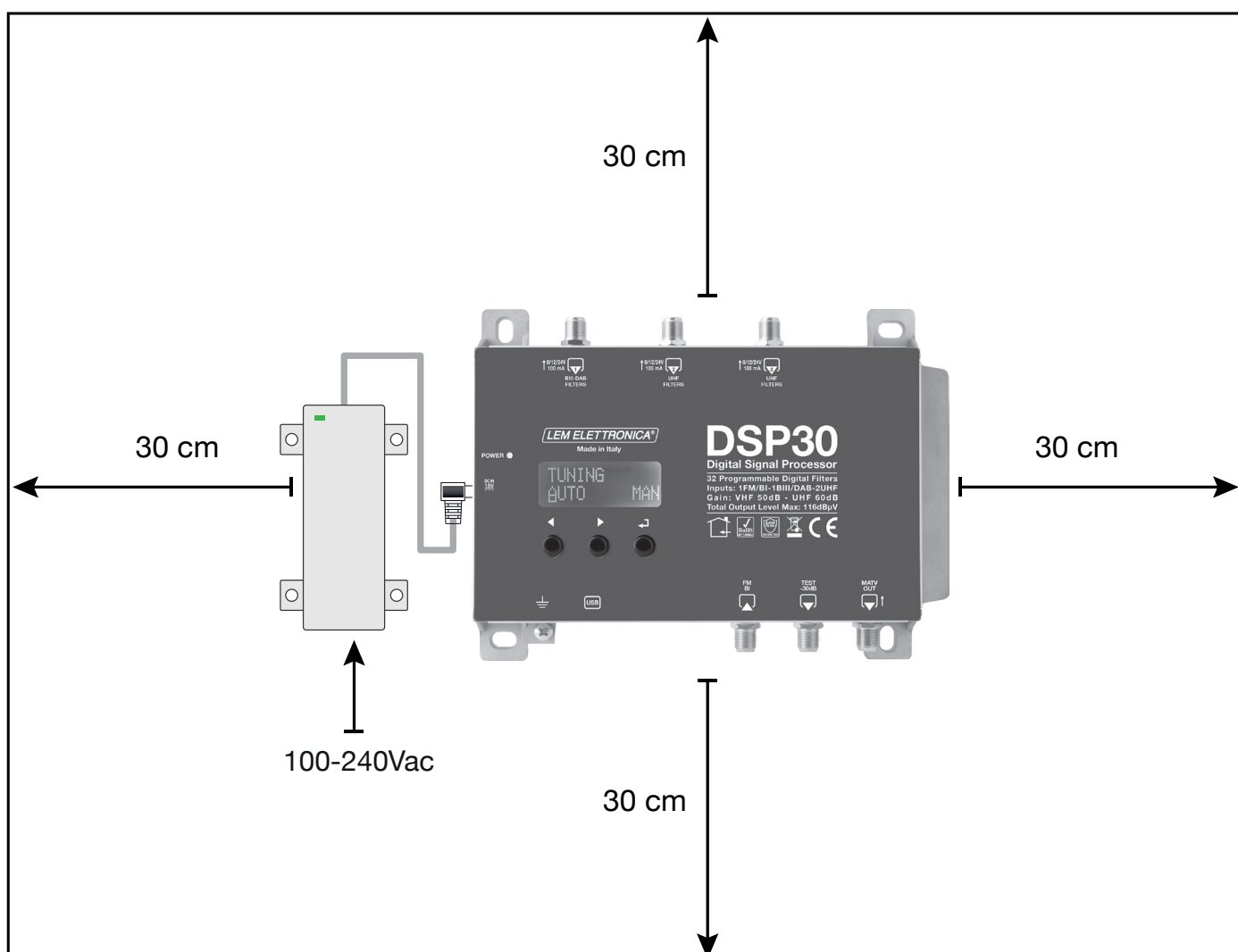


## Safety instructions

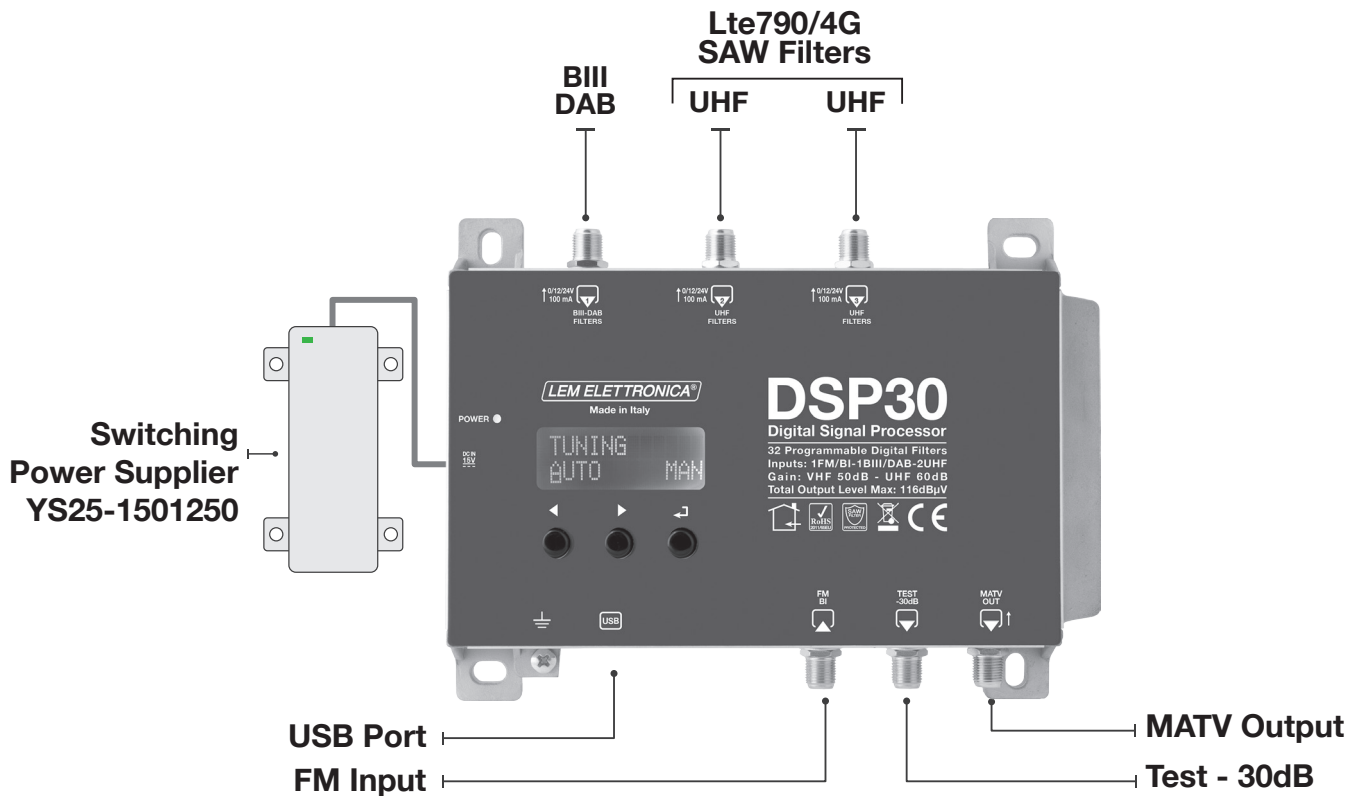
1. Do not expose the amplifier to extreme temperatures.
2. Place the amplifier in a dry and well-aired location.
3. Install the unit on a vertical wall, or in a waterproof cabinet with a minimum IP55 rating, and fix it safely using the provided fixing plugs.
4. Connect the power adapter cord to a detachable power supply socket.

### IMPORTANT!

Use only the power supplier YS25-1501250 provided with the amplifier. The use of non-original power suppliers determines the non-compliance of the product and can cause malfunctions and void the warranty.



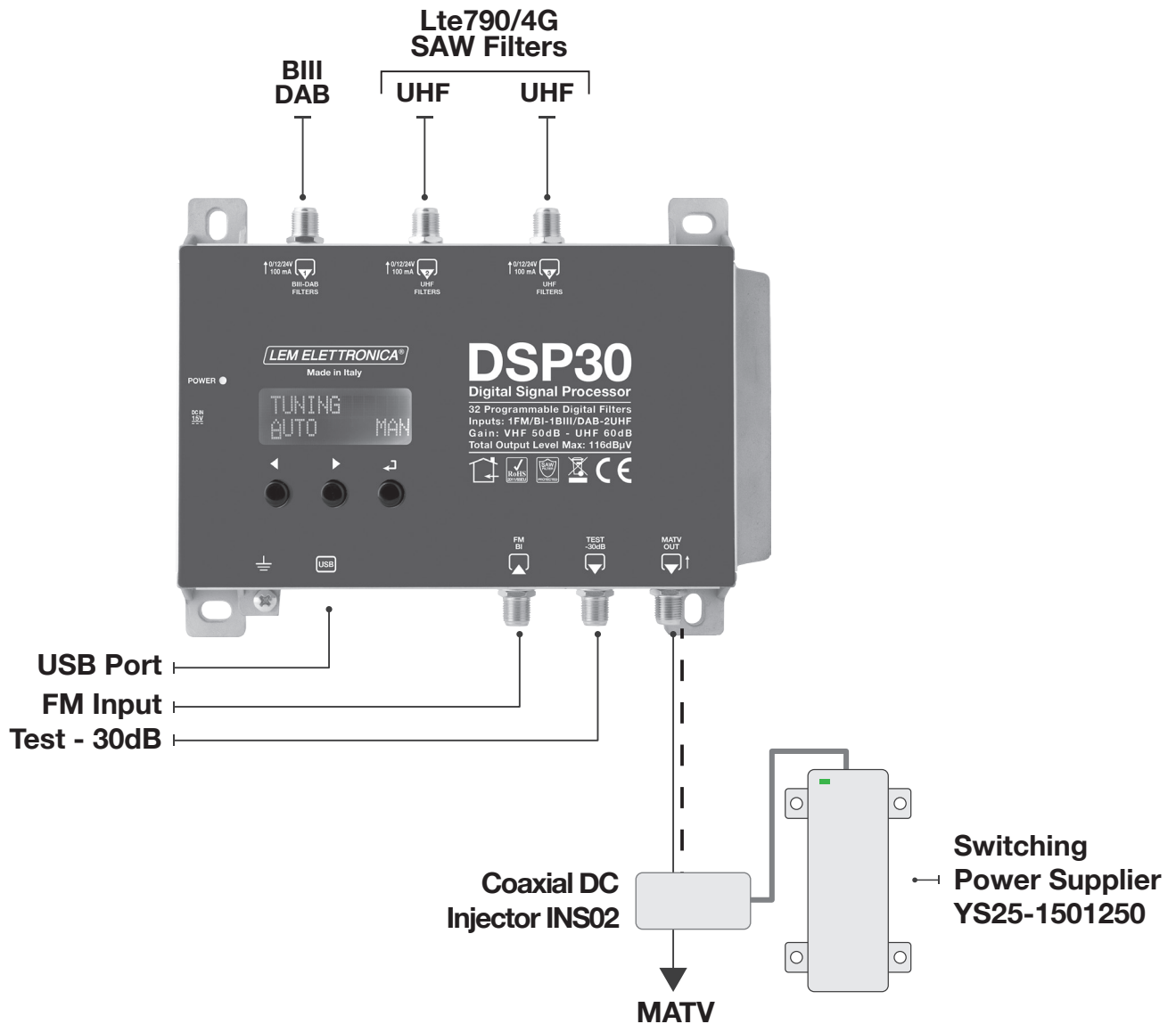
# Standard Connections Schematic



## Installation and start-up

- 1 Connect an earth wire to grounding clamp
- 2 Connect the TV aerial(s) to the amplifier's inputs
- 3 Connect the MATV output and terminate the unused inputs with 75Ω loads
- 4 Connect the power supplier unit to the **DSP30-4G** and then connect the power supplier to mains plug

# Connections Schematic with Remote PSU





## Installation and start-up

- 1 Connect an earth wire to grounding clamp
- 2 Connect the TV aerial(s) to the amplifier's inputs
- 3 Connect the MATV output and terminate the unused inputs with 75Ω loads
- 4 Connect the power supplier unit to the coaxial DC injector INS02\* and then connect the power supplier to mains plug

\*DC Coaxial Injector not included

# Programming via display

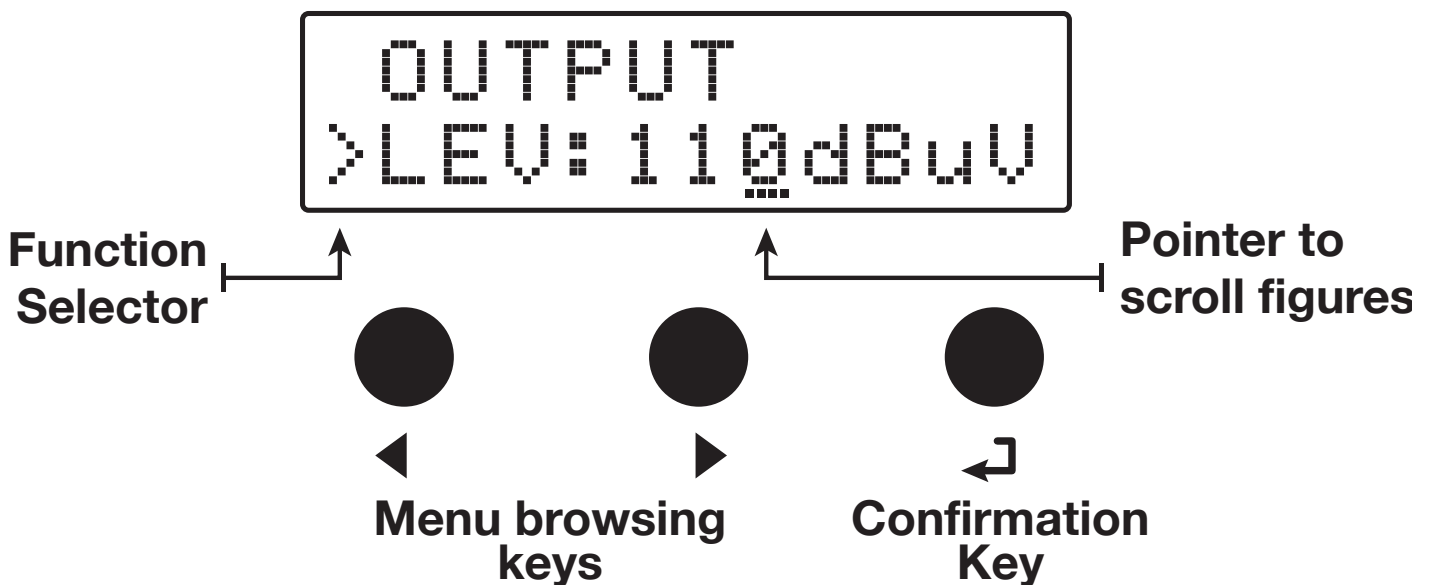
1. Press  to activate the display
2. Press  for three seconds to enter the programming menu

Firmware rel. 1.5  
Hardware rel. 5.3



**Note:** the display will go out after 3 minutes if inactive, but the menu will remain open on the last selected function. Press any key to continue.

## Display LDC 2 x 12



# Automatic channel scan and memorization

To begin the **AUTO-TUNING** procedure connect the antenna(s) to the **DSP30-4G** inputs, then follow the operations described below.

```
TUNING
AUTO      MAN
```

To begin the automatic programming, **AUTO-TUNING**, place the pointer --- below **AUTO**. Press **↵** to proceed.

```
>DC:      12V
DC U1:    OFF
```

Before the MUX scanning, the **DSP30-4G** requires the selection of the inputs voltage 12V or 24V and the activation, if required, of the remote powering for each input. The remote powering is required in case of active antennas or external pre-amplifiers.

```
DC U2:    OFF
>DC U3:    ON
```

```
>THR: 55dBuV
START
```

If necessary set up the **THR** (minimum threshold) level or leave the default 55dB $\mu$ V.

```
THR: 55dBuV
>START
```

Press again **↵** to confirm the scanning and tuning.

```
TUNING
>      >      >
```

The amplifier **DSP30-4G** will start scanning from the input [1] for **BlU** band and the **UHF** inputs [2] and [3] in sequence. The scanning/tuning procedure require less than two minutes.



To stop the **AUTO-TUNING** procedure press **↵** for 5 seconds.

```
OUTPUT
>LEV: 106dBuV
```

When the **AUTO-TUNING** procedure is completed the display will show the maximum output level optimized for the number of MUX automatically found and saved. Press **↵** to confirm and complete the procedure. To change the output level press the keys **◀ ▶** then press **↵** to confirm.



Setting higher output levels than the one obtained through the **AUTO-TUNING** could reduce the quality of the received signals.



If the number of the memorized MUX is lower than expected try reducing the **THR** level and restart the **AUTO-TUNING** procedure.



# Manual programming

```
TUNING
AUTO      MAN
```

Position the pointer --- on **MAN** to start the manual programming through the ► key and press ↵ to continue.



Press the keys ◀ ▶ at the same time to go back to the main menu from anywhere in the **INPUT** menu.

## FM/BI INPUT

```
INPUT FM/BI
```

Press ↵ to enter the menu to set the **FM** input parameters.

## FM/BI ATTENUATOR

```
INPUT FM/BI
>ATTN: 12dB
```

Adjustable 0/12/24dB

Position the function selector > on **ATTN** and press ↵ to activate the pointer ---, select the desired output level through the keys ◀ ▶ and press ↵ to confirm.

## INPUT [1] VHF

```
INPUT VHF 1
```

To set the **INPUT VHF 1** parameters press ↵ to enter the menu.

### INPUT 1 VHF

Processable channels

Input: E5... E13 - DAB

Output: E5... 69

## REMOTE POWER SUPPLY

```
INPUT VHF 1
>DC : OFF
```

Position the function selector > on **DC** and press ↵ select **ON** to enable the remote power supply from **INPUT 1 VHF**. Press ↵ to confirm.

---

The remote power supply is set on 12Volt. It can be changed to 24Volt in the **ADVANCED** menu.

---

## SINGLE MUX FILTERING

```
PREAMP: ON
>ADD 1 CH
```

```
PREAMP: ON
> 5-> 5 L 65
```

```
PREAMP: ON
> 5-> 5 L 65
```

Press ◀ ▶ to position the function selector > on **ADD 1 CH** and press ↵.

To activate the filtering function on a single MUX set the desired channel through the ◀ ▶ keys and then press ↵ twice to confirm.

---

The L figure shows the input level of the selected MUX in dBµV.

---

## DAB FILTER

```
PREAMP: ON
> UHF-DAB
```

To activate the single 65MHz DAB filter press ▶ until the figure **VHF-DAB** is shown, then press ↵ to confirm.

## MUX CONVERSION

```
PREAMP: ON
> 5-> 5 L 65
```

```
PREAMP: ON
> 5-> 8 L 65
```

To activate the filtering and conversion function on a single MUX set the desired input channel through the ◀ ▶ keys and press ↵ to confirm. Select the output channel required for the conversion through the ◀ ▶ keys then press ↵ to confirm.



Output conversions up to the UHF channel 69 are permitted.

## TWO MUX FILTERING

```
ADD 1 CH
>ADD 2 CH
```

```
PREAMP: ON
> 9<>10 L 65
```

To add a filter for two channels with two adjacent MUX press ▶ and select **ADD 2 CH**. Press ↵ to confirm. Select the first channel with the ◀ ▶ keys. The second channel will automatically appear in second position. Press ↵ to confirm.

## FILTERS OVERLAPPING

```
8<> 8*L 65
>10<> 8*L 70
```

The selection of two or more output filters with the same frequency is allowed but marked with \*

## DELETE FILTER

```
CH DELETED
```

Position the function selector ▶ on MUX filtering or MUX conversion using ◀ ▶ then keep pressed ↵ for five seconds.

## INPUT [2] UHF

INPUT UHF 2

### INPUT 2 UHF

Processable channels

Input: 21... 60

Output: E5... 69

## INPUT [3] UHF

INPUT U 3

### INPUT 3 UHF

Processable channels

Input: 21... 60

Output: E5... 69

## OUTPUT LEVEL SELECTION

OUTPUT

Adjustable from 86 to 106dB $\mu$ V

OUTPUT  
>LEV: 105dB $\mu$ V

## UHF SLOPE

LEV: 105dB $\mu$ V  
>SLP: 5dB

Adjustable from 0 to 5dB

## VHF SLOPE

SLP: 5dB  
>VHF: - 10dB

Adjustable from 0 to -10dB

To set the **INPUT 2 UHF** parameters, press  $\leftarrow$  to enter the menu.

The same procedures described for input 1 apply for all settings.

To set the **INPUT 3 UHF** parameters, press  $\leftarrow$  to enter the menu.

The same procedures described for input 1 apply for all settings.

Press  $\blacktriangleright$  to select the menu **OUTPUT** and press  $\leftarrow$  to confirm and check the selected output level.

To adjust the output level, press  $\leftarrow$  and change the figure where the pointer is positioned to the required level. Press  $\leftarrow$  to confirm.

To adjust the UHF slope select **SLP** and press  $\leftarrow$ , press  $\blacktriangleleft$   $\blacktriangleright$  to select the required value and press  $\leftarrow$  to confirm.

To adjust the VHF gain select **VHF** and press  $\leftarrow$ , press  $\blacktriangleleft$   $\blacktriangleright$  to select the required value and press  $\leftarrow$  to confirm.

## ADVANCED SETTINGS

```
ADVANCED
```



Press the keys ◀ ▶ at the same time to go back to the main menu from anywhere in the ADVANCED menu.

## REMOTE POWER SUPPLY

```
ADVANCED  
>DC: 12V
```

Select the **DC** voltage setting function and press ↵, press the ◀ ▶ keys to select the voltage 12V or 24V then press ↵ to confirm.

```
ADVANCED  
>DC: 24V
```

## PROTECTION PASSCODE

```
DC : 12V  
>PSW: 000
```

Select **PSW** and press ↵, press the ◀ ▶ keys to select the first figure from the right. Press ↵ to confirm. Repeat for the other figures and press ↵ to confirm.

```
DC : 12V  
>PSW: 000
```

## FILTERS AMPLITUDE

```
PSW: 000  
>BW : 8MHz
```

Select **BW** and press ↵, press the ◀ ▶ keys to select a non standard filter bandwidth. Press ↵ to confirm.

## AUTO-TUNING INPUTS THRESHOLD

```
PSW: 000  
>THR: 55dBuV
```

Adj. from 45 to 90dB $\mu$ V

Select **THR**, the **AUTO-TUNING** and **MONITOR** minimum threshold function and press ↵. Use the ◀ ▶ keys to select the required value and press ↵ to confirm.

## FAST A.C.G.

```
THR: 55dBuV  
>FAST: OFF
```

For a faster Automatic Control Gain A.C.G. action select **ON** and press ↵ to confirm.

```
THR: 55dBuV  
>FAST: ON
```

## RESET DSP30-4G

```
THR: 55dBuV  
>RESET
```

```
RESET?  
YES NO
```

```
RESET OK
```

To restore the default settings select **RESET** and confirm **YES** pressing **↵**. The display will show **RESET OK** for a few second to confirm the operation. If you wish to skip the **RESET** select **NO** and press **↵** to confirm.



Please note the **RESET** restore all the settings to default.

## MONITOR

```
RESET  
>MONIT: OFF
```

The **MONITOR** function activates a real time monitoring procedure which check that the input level of each selected **MUX** is greater than the entered **THR** input threshold. If the measured level of a **MUX** is lower than the **THR** threshold, the corresponding filters are automatically deactivated. When the input level of the deactivated **MUX** return above the minimum threshold level **THR** the filter will be automatically reactivated.



Please use the **MONITOR** function with maximum care.

## S/N DSP30-4G

```
RESET  
>SNBR: 00001
```

Select **SNBR**. The number displayed on the right is the univocal serial number of the product.

## EXIT

```
EXIT
```

```
EXIT  
YES NO
```

To end the programming procedure select **EXIT** and press **↵**. Select **YES** to exit programming mode and press **↵** to confirm.

To carry on with the programming, select **NO** and press **↵** to confirm.

# Display Error Messages

DC NOT VALID

Wrong power input voltage. Please check the power supplier.

Power Led red

OVERCURRENT!

Input short circuit or over current. Please check the input(s) with the remote power supply activated and remove the issue.

Power Led red

# PC Windows Programming GUI

1. Download the latest GUI release from our website <http://www.lemeletronica.it>
2. Install the GUI selecting the file **Setup.exe** and follow the guided procedure step by step until the installation is completed.

## Software minimum requirements

Windows 7 or more recent operating system, Microsoft Framework.NET 3.5\* or higher and langpack (free download from the Microsoft website).

\* In recent versions of Windows, Framework.NET 3.5 is usually already installed, otherwise Framework.NET can be freely downloaded from the Microsoft website.

## Hardware requirements

PC Windows compatible with USB port.

USB A-B cable.

# SmartPhone/Tablet Android Programming GUI

1. Check if your Android device supports the **USB OTG** mode. Free application like **USB OTG Checker** can help.
2. To connect the Android Smartphone/Tablet you need a **USB OTG** cable or adapter.
3. Download the application **LEMGUI** from Google play and install.
4. Switch on the **DSP30-4G** and wait until the **BOOTING** procedure is completed.
5. Connect the **DSP30-4G** to your Android device with the **USB-OTG** cable
6. The **LEM GUI** will start automatically and you will be ready to set up the **DSP30-4G**.

## Label with serial and tracking data

AA1000015019-X1020L

AA	100001	50	19	X	10	20	L
Model	Serial #	Manuf. Week	Manuf. Year		HW Rel.	FW Rel.	

**LEM ELETTRONICA srl • Via Grezze, 38 • 25015 Desenzano d/G • Italy**  
**Tel. +39 0309120006 • Fax. +39 0309123035 • [info@lemelettronica.it](mailto:info@lemelettronica.it)**  
**[www.lemelettronica.it](http://www.lemelettronica.it)**